

The ACEAIR logo features a stylized blue circular icon with a white geometric shape inside, followed by the word "ACEAIR" in a bold, blue, sans-serif font with a registered trademark symbol (®) to its upper right.

ACEAIR®



Check Valve

2PC Spring Vertical lift Check Valve, Female Swing Check Valve, Y Spring Vertical Lift Check Valve and Y-Swing Check valve optional.

2PC Spring Vertical lift Check Valve Series CV100

2PC Spring Vertical lift Check Valve



CV100-025

Note: Make a reference before place order

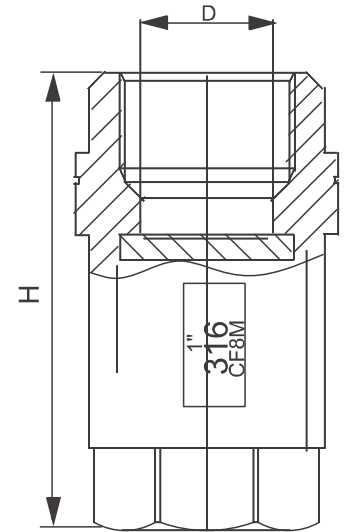
◆ Specifications

| Model Specification | Specification |
|---------------------|--------------------------------|
| Nominal Pressure | PN1.6, 2.5, 4.0, 6.4Mpa |
| Strength test Press | PT2.4, 3.8, 6.0, 9.6Mpa |
| High P. test Press. | 1.8, 2.8, 4.4, 7.1Mpa |
| Medium Temp. | -20 ~180°C |
| Gasket material | PTFE |
| Ambient and fluid | -C water, oil, gas |
| | -P Nitric acid (Material CF8) |
| | -R Acetic acid (Material CF8M) |

Note: Select suitable products in terms of working medium (see details in specifications).

◆ Dimensions [mm]

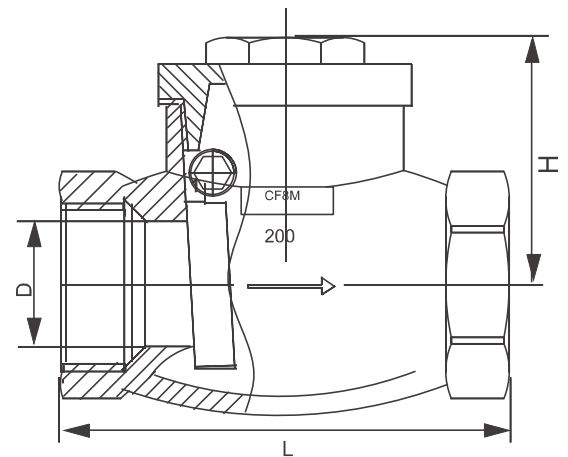
| Port Size | H | D |
|-----------|-----|----|
| DN10 | 56 | 11 |
| DN15 | 61 | 14 |
| DN20 | 68 | 18 |
| DN25 | 82 | 24 |
| DN32 | 91 | 31 |
| DN40 | 106 | 38 |
| DN50 | 121 | 47 |
| DN65 | 126 | 64 |



Swing Check Valve



Female Swing Check Valve Series CV200



◆ Specifications

| Model Specification | Specification |
|---------------------|--------------------------------|
| Nominal Pressure | PN1.6, 2.5, 4.0, 6.4Mpa |
| Strength test Press | PT2.4, 3.8, 6.0, 9.6Mpa |
| High P. test Press. | 1.8, 2.8, 4.4, 7.1Mpa |
| Medium Temp. | -20 ~180°C |
| Gasket Material | PTFE |
| Ambient and fluid | -C water, oil, gas |
| | -P Nitric acid (Material CF8) |
| | -R Acetic acid (Material CF8M) |

Note: Select suitable products in terms of working medium (see details in specifications).

◆ Dimensions [mm]

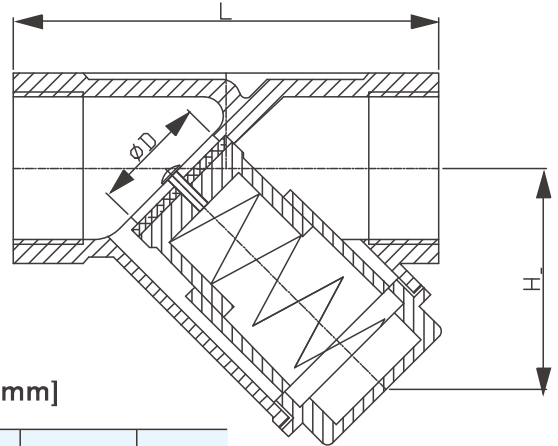
| Port Size | H | L | D |
|-----------|-----|-----|----|
| DN15 | 44 | 64 | 15 |
| DN20 | 49 | 78 | 25 |
| DN25 | 58 | 88 | 24 |
| DN32 | 62 | 102 | 30 |
| DN40 | 71 | 117 | 37 |
| DN50 | 76 | 136 | 46 |
| DN65 | 90 | 163 | 63 |
| DN80 | 102 | 183 | 73 |

Y- Spring Vertical Lift Check Valve Series CV300

Y Spring Vertical Lift Check Valve



Port Size
CV300-025



◆ Specifications

| Model Specification | Specification |
|---------------------|--------------------------------|
| Nominal Pressure | PN1.6, 2.5, 4.0, 6.4Mpa |
| Strength test Press | PT2.4, 3.8, 6.0, 9.6Mpa |
| High P. test Press. | 1.8, 2.8, 4.4, 7.1Mpa |
| Medium Temp. | -20 ~180°C |
| Gasket material | PTFE |
| Ambient and fluid | -C water, oil, gas |
| | -P Nitric acid (Material CF8) |
| | -R Acetic acid (Material CF8M) |

Note: Select suitable products in terms of working medium (see details in specifications).

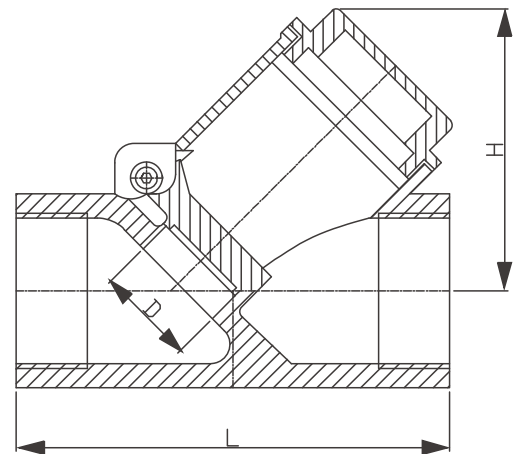
◆ Dimensions [mm]

| Port Size | H | L | D |
|-----------|----|-----|----|
| DN15 | 44 | 64 | 15 |
| DN20 | 52 | 75 | 20 |
| DN25 | 60 | 86 | 25 |
| DN32 | 64 | 102 | 32 |
| DN40 | 70 | 118 | 40 |
| DN50 | 88 | 134 | 48 |

Y - Swing Check Valve



Y - Swing Check Valve Series CV400



◆ Specifications

| Model Specification | Specification |
|---------------------|--------------------------------|
| Nominal Pressure | PN1.6, 2.5, 4.0, 6.4Mpa |
| Strength test Press | PT2.4, 3.8, 6.0, 9.6Mpa |
| High P. test Press. | 1.8, 2.8, 4.4, 7.1Mpa |
| Medium Temp. | -20 ~180°C |
| Gasket material | PTFE |
| Ambient and fluid | -C water, oil, gas |
| | -P Nitric acid (Material CF8) |
| | -R Acetic acid (Material CF8M) |

Note: Select suitable products in terms of working medium (see details in specifications).

◆ Dimensions [mm]

| Port Size | H | L | D |
|-----------|----|-----|----|
| DN15 | 44 | 67 | 12 |
| DN20 | 53 | 80 | 20 |
| DN25 | 57 | 90 | 23 |
| DN40 | 78 | 122 | 37 |
| DN50 | 93 | 144 | 46 |