

The ACEAIR logo features a stylized blue 'A' inside a hexagonal shape, followed by the word 'ACEAIR' in a bold, blue, sans-serif font with a registered trademark symbol (®) to its upper right.

ACEAIR[®]

Manual Valve

2/2-way stainless steel Angle Seat Valve with big flow capacity, Pneumatically Operated, Excellent seat tightness due to PTFE soft sealing, for Medium up to +180°C, Port connection DN 15-65.

Y type Manual Angle Seat Valve Series MV100

Y type Manual Angle Seat Valve



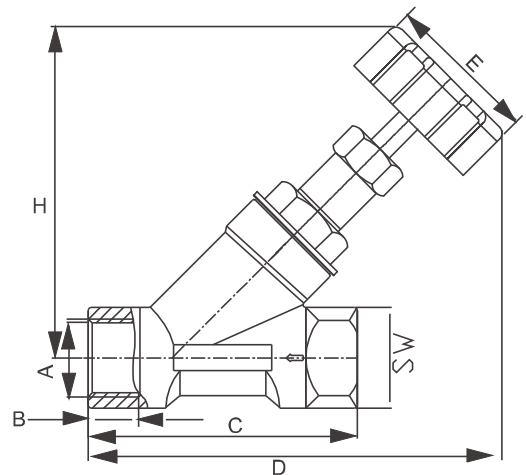
MV100-025

2/2-way Angle Seat Valve, manually operated, for medium up to +180° C, DN15-50

- Compact industrial design with long service life;
- Adjustable flow rates;
- Stainless steel valve body;
- excellent seat tightness due to PTFE soft sealing;

◆ **MV100 Series Manually-operated angle seat valve are delivered as standard with threaded or weld end port connection, There are 2 types function which is optional: usually MV100 is used only for On/Off function, control a defined flow is required with Model MV100A**

Swivel plate type:
Parabolic plug
it can be used to control a defined flow.



◆ Specifications

Model Specification	Specification
Mateial of body	CF8/CF8M
Port Size	DN10-DN50
Seat seal	PTFE
Temp. of Medium	- 20 ~180°C
Installing	see following
Ambient and fluid	Air,Water,Oil,Steam,gas Organic solvent, acidic solution, weakly alkaline solution
Flow direction	Any flow direction (MV100A must be below seat)

◆ Dimensions [mm]

Port Size	A	B	C	D	E	H	SW
DN10	G3/8	12	65	125	50	96	25
DN15	G1/2	14	76	125	50	105	28
DN20	G3/4	16	92	127	50/63	121	32
DN25	G1	21	103	137	63	128	39
DN32	G1-1/4	19	112	164	63	162	49
DN40	G1-1/2	21	129	167	63	165	56
DN50	G2	27	143	181	63	173	68

Note:Installation in any orientation but preferably with the handwheel above

T type Manual Right Globe Control Valve

Globe Control Valve

2/2-way Globe Control Valve manually operated, for medium up to +180° C, DN15-50

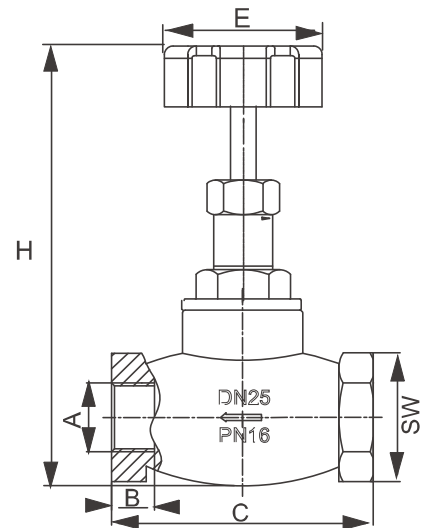


MV200-025

- Compact industrial design with long service life;
- Adjustable flow rates;
- Stainless steel valve body;
- excellent seat tightness due to PTFE soft sealing;

- ◆ **MV200 Series Manually-operated globe control valve are delivered as standard with threaded end port connection, There are 2 types function which is optional: usually MV200 is used only for On/Off function, control a defined flow is required with Model MV200A**

Swivel plate type:
Parabolic plug
it can be used to control a defined flow.



◆ Specifications

Model Specification	Specification
Material of body	CF8/CF8M
Port Size	DN10-DN50
Seat seal	PTFE
Temp. of Medium	-20 ~180°C
Installing	see following
Ambient and fluid	Air,Water,Oil,Steam,gas Organic solvent, acidic solution, weakly alkaline solution
Flow direction	Any flow direction (MV200A must be below seat)

◆ Dimensions [mm]

Port Size	A	B	C	E	H	SW
DN15	G1/2"	12	57	50	114	26
DN20	G3/4"	12	67	50	127	35
DN25	G 1"	12	72	50/63	135	42
DN32	G1-1/4"	16	85	63	152	50
DN40	G1-1/2"	16	98	63	262	56
DN50	G 2"	22	112	63	273	68

Note: Installation in any orientation but preferably with the handwheel above