

# Angle Seat Valve(Piston Valve) Series PV800 (Y-type compact Valve)



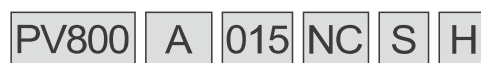
## 2/2-way Angle seat valve Pneumatically Operated,for medium up to +150°C, threaded port connection, DN 15-50

- Classic design, Long life cycle
- NC and NO is optional
- Structure in coaxial stop,leakage proof and high flow rate
- Saving energy.

### ◆ How to Order

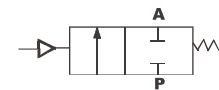


PV800A020NC

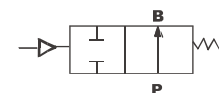


### Symbol

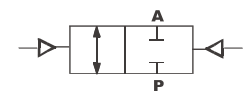
**Control function A**  
(closed by spring force  
in rest position)



**Control function B**  
(open in rest position)



**Control function I**  
(double-acting actuator)



### Sealing Require

H	High Temperature
Blank	Normal (standard)

### Acting type

S	Single acting
D	Double acting (standard)

### Control Function

NO	Normally open
NC	Normally closed (standard)
NA	Liberty state

### Port Code

15	G1/2	20	G3/4
25	G1	32	G1 1/4
40	G1 1/2	50	G2

### Actuator & stem Material code

S	S.S.
A	Aluminium

### Model

PV800	800 series anglse seat Valve
-------	------------------------------

### Construction

Seal Material: PTFE (NBR, FKM and EPDM on request)  
Liquid and gaseous media that do not attack the housing and seal materials

### Media

Control Medium Air

### Temperature range

Medium temperature: -10 to 80°C with NBR seal -10 to 150°C (PTFE,FKM)  
Ambient temperature: -10 to 60°C  
Standard Version: Aluminium actuator,S.S actuator on require

### Applications

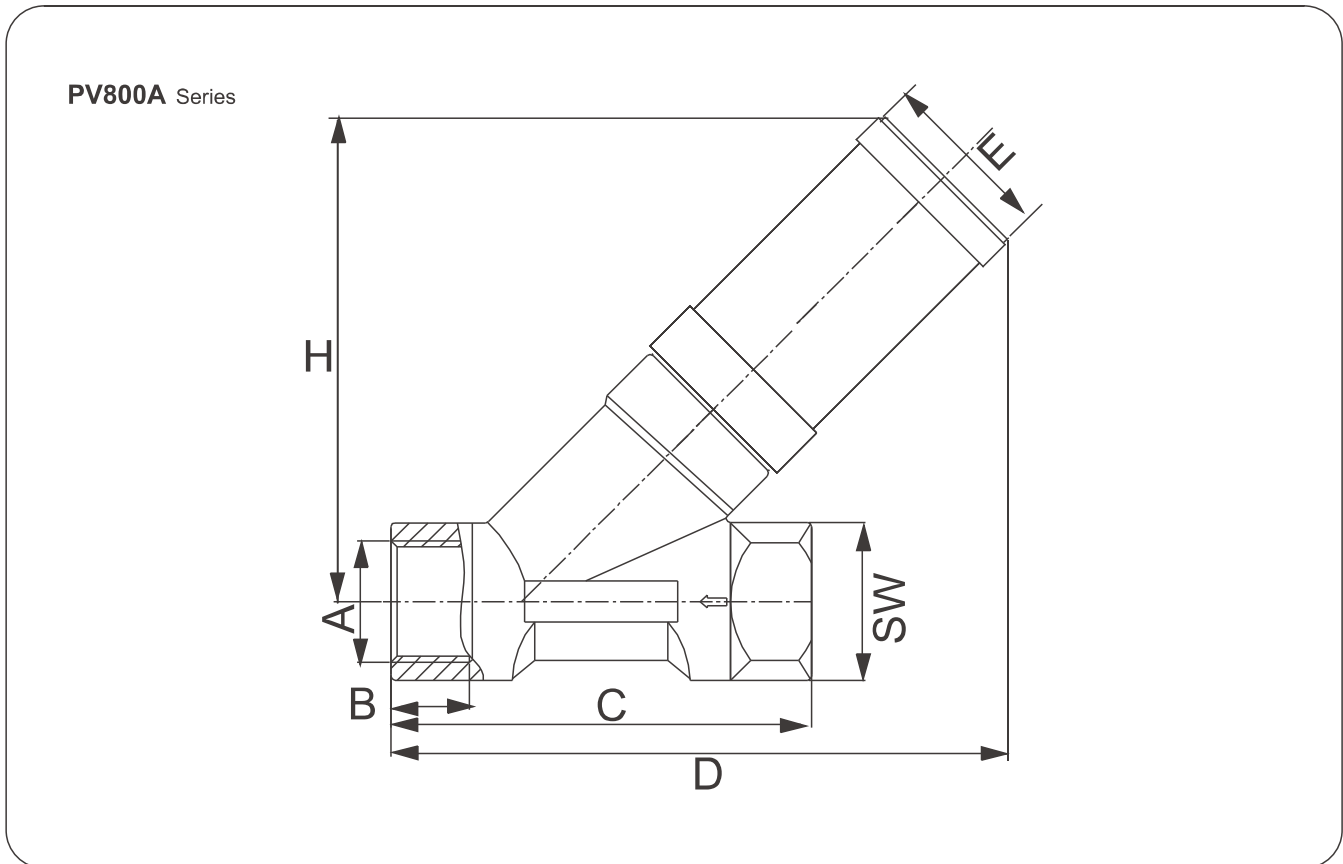
Food, packaging, petrochemical, metallurgican, spraying, vehicles, printing and dyeing machinery etc.;

# Angle Seat Valve(Piston Valve) Series PV800 (Y-type compact Valve)

## ◆ Specifications

Model Specification	Normally Closed	015NC	020NC	025NC	032NC	040NC	050NC
	Normally Open	015NO	020NO	025NO	032NO	040NO	050NO
Material of Body	S.S304/316/316L for body, Aluminium for stem and actuator, S.S is optional.						
Operating Method	Plunger Pilot						
Ambient and fluid	Air, Water, Oil, Liquefied gas, Free-running viscosity liquid						
Port size	G1/2	G3/4	G1	G1 1/4	G1 1/2	G2	
Nominal Diameter mm	13	16	22	32	35	45	
Kv (m <sup>3</sup> /h)	4	5	10	20	33	42	
Pressure Range Mpa	0~0.8	0~0.8	0~0.8	0~0.8	0~0.8	0~0.8	
Min. Control Pressure Mpa	0.30	0.30	0.32	0.30	0.35	0.32	
Medium Temp.	NBR FOR -10~80°C and EPDM, VITON FOR -10~150°C						

## ◆ Dimensions [mm]



Port Size	DN (mm)	Actuator (mm)	A	B	C	D	E	H	SW
1/2"	DN15	25	G1/2"	14	76	109	30	98	27
3/4"	DN20	32	G3/4"	16	92	115	37	100	32
1"	DN25	32	G 1"	21	103	127	37	104	40
1-1/4"	DN32	40	G1-1/4"	19	112	168	45	160	50
1-1/2"	DN40	50	G1-1/2"	21	129	129	55	160	56
2"	DN50	63	G 2"	27	143	143	68	160	68